

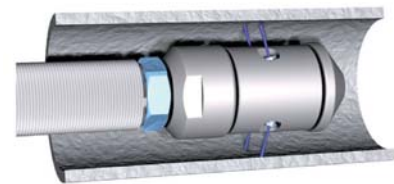
1000 bar Rotating nozzles

The maximum pressure rotating nozzles **enz golden jet®** are most efficient in cleaning the inside wall of pipes with a pressure up to 1000 bar. They are most appropriate to remove harder deposits from the pipe walls.

Applications

- Cleaning of heat exchangers in chemical and atomic plants and for general industrial pipe cleaning











Working pressure up to 1000 bar



1000 bar Rotating nozzles








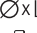


1000 bar Rotating nozzles (RGS)

For \varnothing 28–50 mm, equipped as radial rotating nozzle with 4 water jets (RGS) at an angle of 75° - 90° to the pipe wall.








			
	05.0281	05.0401	05.0501
	1/4	M24 × 1.5	M24 × 1.5
	30 - 42	42 - 55	55 - 77
	30	40	40
	4 × M4	4 × M6	4 × M6
	\varnothing × L 28 × 56	40 × 80	50 × 99
	200	700	1250
	—	—	—

1000 bar Rotating nozzles (HRH)

For \varnothing 28–50 mm, equipped as semi-radial rotating nozzle with 4 water jets (HRH backwards) at an angle of approx. 45° to the back.

			
	05.0282	05.0402	05.0502
	1/4	M24 × 1.5	M24 × 1.5
	30 - 42	42 - 55	55 - 77
	30	40	40
	4 × M4	4 × M6	4 × M6
	\varnothing × L 28 × 56	40 × 80	50 × 99
	200	700	1250
	—	—	—

High Performance Tool 

	Connecting thread ["]		Rotating nozzles		Recycling
	Application range [mm]		Measures [mm]		
	min. l/min at 1000 bar		Weight [g]		

1000 bar Rotating nozzles

1000 bar Rotating nozzles (HRV)

For \varnothing 28–50 mm, equipped as semi-radial rotating nozzle with 4 water jets (HRV forwards acting) at an angle of approx. 45° to the front.

Attention! Use only with a lance!



	05.0283	05.0403	05.0503
	1/4	M24 × 1.5	M24 × 1.5
	30 - 42	42 - 55	55 - 77
	30	40	40
	4 × M4	4 × M6	4 × M6
	28 × 56	40 × 80	50 × 99
	200	700	1250
	—	—	—

1000 bar Rotating nozzles (KBR)

For \varnothing 12–50 mm, equipped as combination nozzle (KBR) with 2 water jets, semi-radial with an angle of approx. 45°, directed backward and 2 water jets radial acting at an angle of 90° to the pipe wall.



	05.011A	05.011B	05.012	05.016
	M7	M8	1/8	1/8
	12 - 18			17 - 30
	45			45
	45°/ 2 × 0.90 90°/ 2 × 0.85			45°/ 2 × 1.00 90°/ 2 × 0.90
	11 × 31	11 × 31	12 × 31	16 × 41
	17			40
	—			—

	Connecting thread ["]		Rotating nozzles/Holes		Recycling
	Application range [mm]		Measures [mm]		
	min. l/min at 1000 bar		Weight [g]		

High Performance Tool 


1000 bar Rotating nozzles



	05.0284	05.0404	05.0504
	1/4	M24 × 1.5	M24 × 1.5
	30 - 42	42 - 55	55 - 77
	30	40	40
	4 × M4	4 × M6	4 × M6
	28 × 56	40 × 80	50 × 99
	200	700	1250
	—	—	—

1000 bar Rotating nozzles (KBRV)

For Ø 11–50 mm, equipped as combination nozzle (KBRV) with 2 water jets, semi-radial with an angle of approx. 45°, directed forwards and 2 water jets radial acting at an angle of 90° to the pipe wall. Attention! Use only with a lance!










	05.011AV	05.011BV	05.012V	05.016V
	M7	M8	1/8	1/8
	12 - 18	12 - 18	13 - 18	17 - 30
	45			45
	45°/ 2 × 0.90 90°/ 2 × 0.85			45°/ 2 × 1.00 90°/ 2 × 0.90
	11 × 31	11 × 31	12 × 31	16 × 41
	17			40
	—			—








High Performance Tool

	Connecting thread ["]		Rotating nozzles/Holes		Recycling
	Application range [mm]		Measures [mm]		
	min. l/min at 1000 bar		Weight [g]		

1000 bar Rotating nozzles



	05.0285	05.0405	05.0505
	1/4	M24 × 1.5	M24 × 1.5
	30 - 42	42 - 55	55 - 77
	30	40	40
	4 × M4	4 × M6	4 × M6
	28 × 56	40 × 80	50 × 99
	200	700	1250
	—	—	—

	Connecting thread ["]		Rotating nozzles/Holes		Recycling
	Application range [mm]		Measures [mm]		
	min. l/min at 1000 bar		Weight [g]		